

Bowl-Tronics Enterprises Incorporated

Address: 1115 Sherwood Ave.
Elgin IL. 60120
Website: www.bowl-tronics.com
E-mail: rick@bowl-tronics.com

Phone: 847-741-4500
Fax: 847-741-0914

LED Chassis Display (DISPLAY)

LED Chassis Display Theory

This LED chassis (DISPLAY) is designed to diagnose blackouts on the machine due to a safety switch that has opened. For example, deck jam, turret jam LED will come on when the switch has been opened. It also shows if the manager's switch, mechanic switch or the masking switch is open or closed. A lit LED means that the switch is open.

Installation Instructions

Remember to remove power before performing any installation!!

First, start by using the template provided to mount the (DISPLAY) to your electrical chassis. Next, feed the wire through a utility hole. If there isn't a utility hole, punch or drill a hole in the chassis as in the schematic on the back page shows. Finally, hook up your connections to the low voltage terminal strip as shown in the schematic directions. Note one wire is spliced into the B & B wire of the canon plugs on top. If you have autoscore view the schematic on the third page for proper installation.

For Repair Send Faulty Parts to:

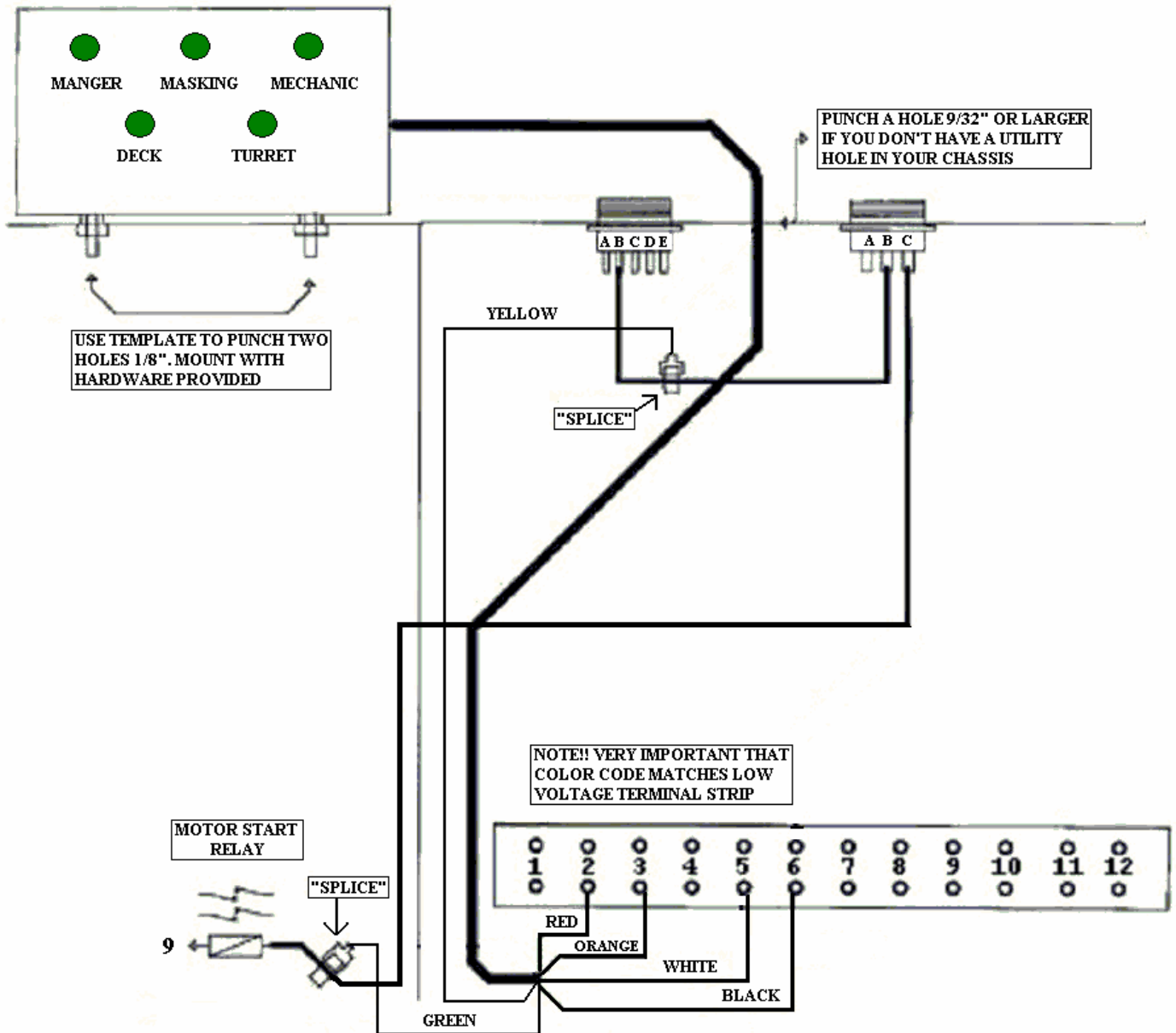
Address: BOWL-TRONICS
1115 Sherwood Ave.
Elgin IL. 60120

Phone: 847-741-4500
Fax: 847-741-0914

Visit our web site at www.bowl-tronics.com

Notes:

LED Chassis Display Schematic



LED Chassis Display Schematic (Autoscore)

THIS HOOK UP IS FOR MACHINES WITH AN AUTOSCORE MODIFICATION

