

Bowl-Tronics Enterprises Incorporated

Address: 1115 Sherwood Ave.

Elgin IL. 60120

Website: www.bowl-tronics.com

E-mail: rick@bowl-tronics.com

Phone: 847-741-4500

Fax: 847-741-0914

15 AMP Breaker Conversion Kit (BRK-15)

15 AMP Breaker Conversion Kit Theory

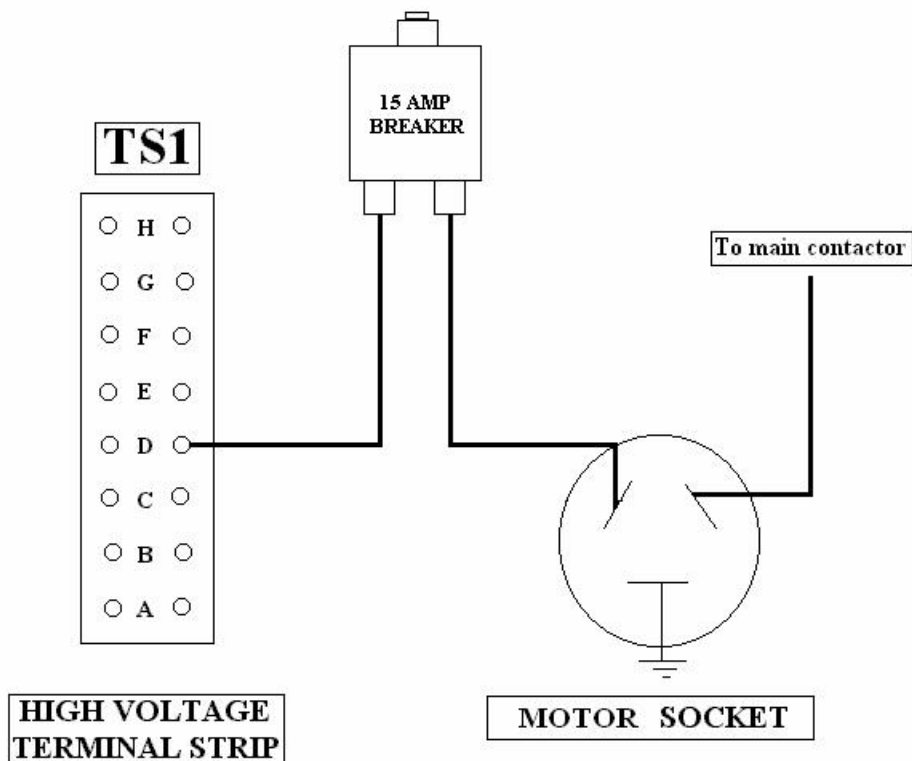
When there is no overload device on your pinsetter motor it is necessary to use some type of protective device as to not damage your pinsetter motor. By utilizing the 15 amp breaker it will protect your pinsetter motor from electrical shorts and pinsetter failure.

Installation Instructions

Remember to remove power before performing any installation!!

Installing BRK-15 on an "A" pinsetter

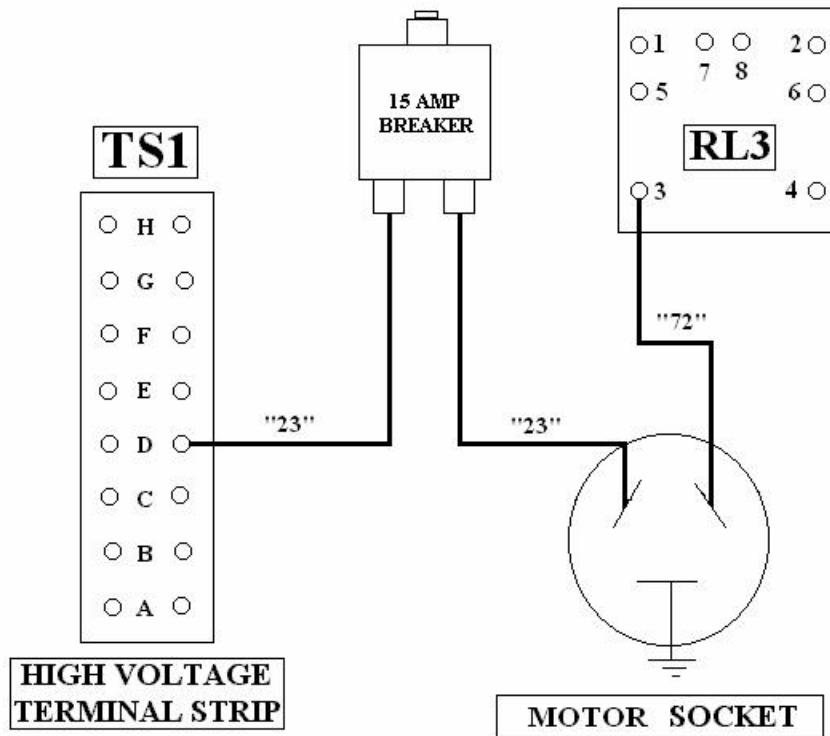
Remove the motor socket wire going to TS-1 (D). Cut the "Y" connector off so you can crimp on one of the new blue insulated tab connectors to the wire. Connect the new blue crimp connector to one side of the breaker. Determine where it's most convenient to mount the circuit breaker and drill or punch a 7/16" hole. Use a piece of 12 gauge stranded wire (not supplied) to connect the other side of the breaker to TS-1 (D).



EXAMPLE CIRCUIT

Installing BRK-15 on an "A-2" pinsetter

Remove the motor socket wire "23" from TS-1 (D). Cut the "Y" connector off so you can crimp on one of the new blue insulated tab connectors to the wire. Connect the new blue crimp connector to one side of the breaker. Determine where it's most convenient to mount the circuit breaker and drill or punch a 7/16" hole. Use a piece of 12 gauge stranded wire (not supplied) to connect the other side of the breaker to TS-1 (D).



"A-2" MACHINE

EXAMPLE CIRCUIT

Notes:

For Repair Send Faulty Parts to:

**Address: BOWL-TRONICS
1115 Sherwood Ave
Elgin IL. 60120**

**Phone: 847-741-4500
Fax: 847-741-0914**

Visit our web site at www.bowl-tronics.com